

# INSTALLATION MANUAL



**Accordion Gangplank  
Model No.  
FBL-1000**



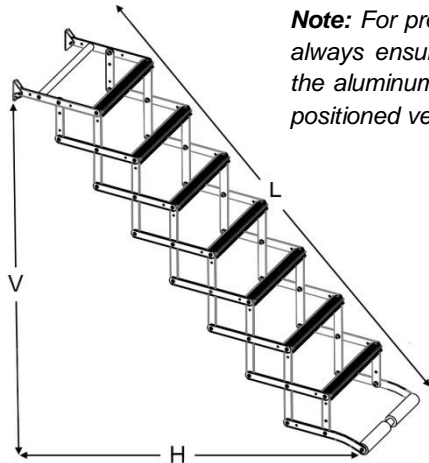
PLEASE READ THE ENTIRE CONTENTS OF THIS MANUAL PRIOR TO INSTALLATION AND USE OF THE ACCORDION GANGPLANK. BY PROCEEDING, YOU AGREE THAT YOU FULLY UNDERSTAND AND COMPREHEND THE FULL CONTENTS OF THIS MANUAL

# TABLE OF CONTENTS

	PAGE #
IMPORTANT NOTICES	2
IMPORTANT SAFETY NOTICES	3
INSTALLATION INSTRUCTIONS	3-7
USE OF ACCORDION GANGPLANK	7
CARE & MAINTENANCE	8
OPTIONAL & REPLACEMENT PARTS	8
LIMITED LIFETIME WARRANTY	9-10
CUSTOMER SERVICE / CONTACT US	11

The GR8-WHITE Accordion Gangplank is designed to work with vessels that have a vertical distance from the mounting point on the hull to the shore up to approximately 70 inches. (See Figure 1) Additional extension kits available for hull heights up to 84 inches. (Part # FBL-1000-01-2XS)

**FIGURE 1**



**Note:** For proper and safe usage of the Accordion Gangplank, always ensure that the stair treads are horizontally level and the aluminum links adjacent and beneath each stair tread are positioned vertically when in use.

**KEY**

V = Vertical Distance  
H = Horizontal Distance  
L = Length (extended)

	7 Step	w/ 2 Step Extension
V	~40-70"	~84" Max
H	~40-50"	~66" Max
L	~60-87"	~103" Max

Each boat manufacturer has unique design characteristics for construction of their vessels. It is important to determine a suitable installation location that is both secure and safe for use of the Accordion Gangplank. It is also essential to determine the appropriate screw lengths required to ensure secure and safe installation of the Accordion Gangplank mounting bracket based upon your chosen installation location.

**IF THERE ARE QUESTIONS AS TO THE USE WITH YOUR VESSEL, CHECK WITH YOUR BOAT MANUFACTURER OR LOCAL MARINE DEALER TO DETERMINE SUITABILITY.**

**IMPORTANT NOTICES**

It is always advisable to completely review the entire instruction manual to determine if your skill level matches what is required for the task.

The following instructions are easily translated for the boat owner who is seasoned, knowledgeable, capable, and confident in working with their boat. If any concern exists as to the level of expertise by the boat owner, you should exercise the option of consulting or hiring a qualified installer to complete the task. This minimizes the risk of doing any damage to your vessel.

*If you take on the installation and need assistance, please consult your boat manufacturer or local marine dealer.*

## **IMPORTANT SAFETY NOTICES**

- ❖ GR8-WHITE will assume no liability for loss or damage of any kind, expressed or implied resulting from improper installation or use of this product.
- ❖ Failure by the owner to provide safety and use instructions to persons using the Accordion Gangplank could result in serious injury.



- ❖ All parties using the Accordion Gangplank must understand all safety warnings of the ladder.
- ❖ Do not use the Accordion Gangplank if any condition exists that affects your balance and could potentially cause you to fall from the ladder. Users will be put at risk.
- ❖ Use EXTREME CAUTION if feet or ladder steps are wet.
  
- ❖ Maximum weight capacity of the Accordion Gangplank is 300 lbs.

**CAUTION:** HEED THE WARNING LABELS PLACED ON THE OUTER LADDER REGARDING PINCH POINTS OF THE FOLDING MACHANISM.

## **INSTALLATION INSTRUCTIONS**

### **TOOLS & MATERIALS REQUIRED**

1. Variable speed drill with 1/4" drill bit
2. Phillips head screwdriver
3. Wrench
4. Qty (4) 1/4" X 20 UNC Stainless Steel Pan Head Machine Screws
5. Qty (4) 1/4" X 20 UNC Stainless Steel Lock Nuts
6. Qty (4) 1/4" X 1" Stainless Steel Fender Washers
7. Marine Grade Adhesive/Sealant
8. Blue Painters Tape
9. Marking Pen

## **INSTALLATION INSTRUCTIONS (continued)**

### **IMPORTANT NOTICE**

*These instructions must be followed to ensure proper installation and operation of your Accordion Gangplank. Failure to comply with these instructions can result in serious bodily harm and void product warranty. Manufacture will assume no liability for loss or damage of any kind, expressed or implied resulting from improper installation or use of this product.*

#### **STEP 1: Selecting Location**

- ❖ Before installing the Accordion Gangplank, check to be certain the bracket mounting areas are free from obstructions on deck and the underside of the desired mounting location for including but not limited to electrical wires. Working access will be needed to the underside of the desired mounting bracket locations to complete the installation.
- ❖ The Accordion Gangplank is designed to be mounted on the Gunwale (top edge of the vessel side; the same surface where the Cleats are mounted) of the vessel. The most common bracket mounting locations along the Gunwale is the vessel Bow (front or forward portion) and Bow Pulpit.
- ❖ Place the ladder in its extended position at the desired location with the Mounting Brackets attached with the Quick Release Pins to confirm that the Accordion Gangplank will not have any obstructions and the angle is appropriate for safe use. (See Figures 1 & 2)

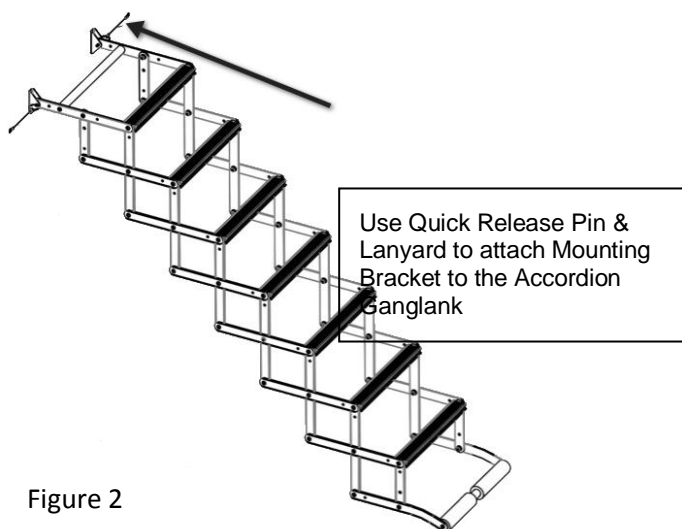


Figure 2

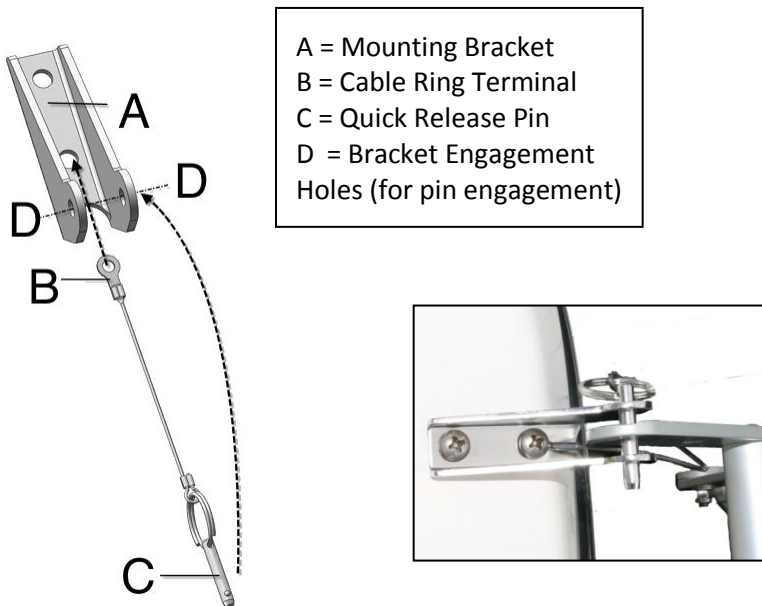
## **INSTALLATION INSTRUCTIONS (continued)**

- ❖ Holding the Accordion Gangplank in place, apply a strip of blue painter's tape onto the vessel in each of the desired locations for the mounting brackets to be installed. Mark the hole locations for the mounting brackets onto the tape by using the brackets as a template.

### **STEP 2: Mounting the Brackets**

- ❖ Drill into the hull at the first marked location using a variable speed drill. It is recommended that you use a new drill bit for cleaner drill holes.
- ❖ Continue the same process for remaining hole locations.
- ❖ Carefully remove the blue painters tape.
- ❖ Remove mounting brackets from the Accordion Gangplank.
- ❖ Apply a small amount of Marine Grade Adhesive/Sealant to the hull at each hole location.
- ❖ Align the mounting brackets over the drill holes and then lay the Cable Ring Terminal (B) over the bracket hole and insert a 1/4" X 20 UNC Stainless Steel Pan Head Machine Screw through B & A into the drilled hole (See Figure 3). Repeat similarly for remaining hole locations.

**FIGURE 3**



## **INSTALLATION INSTRUCTIONS (continued)**

- ❖ At the underside of the mounting location, place a Fender Washer and a ¼" X 20 UNC Stainless Steel Lock Nut onto each screw. With an assistant on deck, tighten all of the Screws and Nuts with Phillips Head Screwdriver and Wrench.

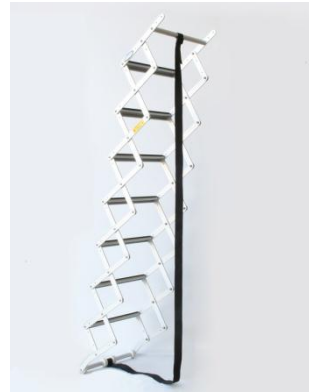
### **STEP 3: Adding Optional Retrieval Strap**

- ❖ The optional Retrieval Strap may be added to the Accordion Gangplank if desired.
- ❖ Position the 4 rollers as shown in Figure 4A on the bottom rung of the ladder.
- ❖ Wrap one end of the strap around the bottom rung between the 2 center rollers and weave the strap through the slip lock buckle to secure. Repeat the process similarly on the top rung. Retrieval strap should hang underneath the ladder and not obstruct the use of the Accordion Gangplank when extended. (See Figure 4B)

**FIGURE 4A**



**FIGURE 4B**



## USE OF ACCORDION GANGPLANK



**CAUTION: HEED THE WARNING LABELS PLACED ON THE OUTER LADDER REGARDING PINCH POINTS OF THE FOLDING MACHANISM.**

- ❖ Maximum weight capacity of the Accordion Gangplank is 300 lbs. No more than 1 person is to be on the ladder at any given time.
- ❖ Once the vessel is no longer in motion and is secured on the beach, bring the gangplank to the location of the brackets, extend to full open position, place bottom of gangplank on the shore and attach the ladder into the bracket by inserting the quick release pin through the bracket engagement holes and the ladder. (Figure 3, Part D)
- ❖ Climb down the Accordion Gangplank to the shore and position the ladder into a comfortable angle for use. Secure the vessel at the shore with anchor.
- ❖ Never use the ladder when the vessel is rocking, moving or in any motion.
- ❖ Always face the ladder and use hands to steady your balance when exiting and entering the vessel using the Accordion Gangplank.
- ❖ If you are located in an area where there are incoming/outgoing tides, adjust the ladder to the appropriate angle as needed by picking up the bottom rung and either extending or shortening the angle.
- ❖ It is recommended that the Accordion Gangplank be removed from the mounting brackets when the vessel is underway.



## **CARE & MAINTENANCE**

- ❖ After each use, clean ladder with soap and fresh water to remove any foreign substances such as but not limited to oils, lotions, and corrosive salt water residue. Then dry and stow in a clean, dry location.
- ❖ Before each use check all hardware fasteners related to the Accordion Gangplank to assure all of them are remaining tight and that the spring ball plungers in the Quick Release Pins are working properly.

## **OPTIONAL ACCESSORIES**

2 Step Extension                      P/N: FBL-1000-012XS

## **REPLACEMENT PARTS**

Quick Release Pin with Lanyard    P/N: FBL-1012A  
Mounting Bracket                      P/N:FBL-1011-01  
Retrieval Strap                         P/N: FBL-1018/19-01/02  
Warning Decal                         P/N: FBL-1021  
Stair Tread Cover                      P/N: FBL-1005-01

## **LIMITED LIFETIME WARRANTY**

Subject to the limitations below, GR8-WHITE, LLC (GR8-WHITE) warrants that the GR8-WHITE Accordion Gangplank you have purchased is free from defects in materials and workmanship, and if properly used and maintained under normal operating conditions, will perform its intended functions for as long as you, the original purchaser, own the Accordion Gangplank.

The GR8-WHITE Limited Lifetime Warranty is defined as the serviceable life of the Accordion Gangplank. This is defined as the period during which all components are available. Should any components prove to be irreplaceable, GR8-WHITE reserves the right to substitute an equivalent component if available or if such component is no longer manufactured and generally available, to retract the Lifetime Warranty. Components specifically excluded from warranty coverage and that are subject to normal wear and tear are the step treads, quick release pins and lanyards. The GR8-WHITE Limited Lifetime Warranty is valid only in the United States of America. Accordion Gangplanks located in other countries are covered under the above provisions except by that the period of time covered by the warranty is two years from the date of purchase.

The GR8-WHITE Limited Lifetime Warranty will be void and of no force or effect if the Accordion Gangplank purchased has been tampered with, repaired, disassembled, changed, altered or modified by you or any other persons who have not been authorized in writing by GR8-WHITE to make such repairs. Also excluded from this warranty are damages or defects which resulted from other than normal use, normal wear and tear, abuse, and damage caused by accident, impact, misuse, negligence, improper maintenance or storage contamination and deterioration due to water or other liquids or insect infestation or acts of God.

## **WARRANTY LIMITATIONS AND EXCLUSIONS**

THE LIMITED LIFETIME WARRANTY REPLACES ALL OTHER WARRANTIES, EXPRESS OR IMPLIED INCLUDING, BUT NOT LIMITED TO, THE IMPLIED WARRANTIES OF MERCHANTABILITY, NON-INFRINGEMENT, AND FITNESS FOR A PARTICULAR PURPOSE. GR8-WHITE MAKES NO EXPRESS WARRANTIES BEYOND THOSE STATED HERE. GR8-WHITE DISCLAIMS ALL OTHER WARRANTIES, EXPRESS OR IMPLIED, INCLUDING WITHOUT LIMITATION, IMPLIED WARRANTIES OF MERCHANTABILITY, NON-INFRINGEMENT, AND FITNESS FOR A PARTICULAR PURPOSE.

THE GR8-WHITE LIMITED LIFETIME WARRANTY AND ANY IMPLIED WARRANTIES THAT MAY EXIST UNDER STATE LAW, APPLY ONLY TO THE ORIGINAL PURCHASER OF THE SPECIFIC GR8-WHITE ACCORDION GANGPLANK, AS IDENTIFIED BY SERIAL NUMBER, AND LASTS ONLY AS LONG AS SUCH PURCHASER CONTINUES TO OWN THE ACCORDION GANGPLANK. SOME STATES DO NOT ALLOW LIMITATIONS ON HOW LONG AN IMPLIED WARRANTY LASTS, SO THE ABOVE LIMITATION MAY NOT APPLY TO YOU. SOME STATES DO NOT ALLOW THE EXCLUSION OR LIMITATION OF INCIDENTAL OR CONSEQUENTIAL DAMAGES, SO THE ABOVE LIMITATION OR EXCLUSION MAY NOT APPLY TO YOU. THIS WARRANTY GIVES YOU SPECIFIC LEGAL RIGHTS, AND YOU MAY ALSO HAVE OTHER RIGHTS WHICH VARY FROM STATE TO STATE

## **LIMITATIONS OF LIABILITY**

GR8-WHITE'S RESPONSIBILITY UNDER THIS OR ANY OTHER WARRANTY, IMPLIED OR EXPRESS, IS LIMITED TO REPAIR, REPLACEMENT OR REFUND, AS SET FORTH ABOVE. THESE REMEDIES ARE THE SOLE AND EXCLUSIVE REMEDIES FOR ANY BREACH OF WARRANTY. YOU, THE PURCHASER AGREE AND ACKNOWLEDGE THAT GR8-WHITE HAS NO LIABILITY AND SHALL NOT BE RESPONSIBLE FOR FAILURE OF THE ACCORDION GANGPLANK TO FUNCTION PROPERLY, THE DESIGN OF THE ACCORDION GANGPLANK OR ITS CONSTRUCTION OR ANY OTHER CAUSE, WHETHER LIABILITY IS ASSERTED IN CONTRACT, TORT OR OTHERWISE. GR8-WHITE IS NOT RESPONSIBLE FOR INDIRECT, SPECIAL, INCIDENTAL OR CONSEQUENTIAL DAMAGES RESULTING FROM ANY BREACH OF WARRANTY OR UNDER ANY OTHER LEGAL THEORY INCLUDING, BUT NOT LIMITED TO DAMAGE TO OR REPLACEMENT OF EQUIPMENT AND PROPERTY.

## **HOW TO OBTAIN WARRANTY SERVICE**

If any component of the GR8-WHITE Accordion Gangplank proves to be defective during the warranty period applicable to such component, contact our offices by emailing [WARRANTY@GR8-WHITE.COM](mailto:WARRANTY@GR8-WHITE.COM) or mailing to Customer Service at 3893 Mannix Dr, #517, Naples, FL 34114 to make arrangements for the Warranty Service. Please be prepared to provide (1) Your name, address and telephone number (2) Proof of Purchase such as a receipt, cancelled check, or credit card statement (3) This Warranty (4) A description of the defect covered by this Limited Lifetime Warranty (5) GR8-WHITE Accordion Gangplank serial number.

After you have contacted our offices and discussed the nature of the claimed warranty defect, GR8-WHITE may require you to return the Accordion Gangplank to our offices for warranty service or may authorize you in writing to obtain service from an authorized technician. After determination of the defect and the availability of coverage under this warranty, GR8-WHITE, in its sole discretion, will repair or replace the defective component(s) and reserves the right to use reconditioned refurbished serviceable used parts which meet GR8-WHITE's quality standards for warranty repairs. Repair, replacement or adjustment of the defective components shall be GR8-WHITE's sole obligation and the customer's sole remedy hereunder. The Warranty Service provided will restore the Accordion Gangplank to normal operating condition and GR8-WHITE has no liability to update any Accordion Gangplank presented for warranty service with any internal or external design or modification which GR8-WHITE has made to its Accordion Gangplanks after the date you purchased the Accordion Gangplank covered by this warranty. To obtain warranty service you may be required to return the defective component and/or the Accordion Gangplank to GR8-WHITE or its designated service technician. You are liable and shall pay for all shipping costs required to obtain warranty service.

Representations and warranties made by any person, including dealers or distributors, which are inconsistent or in conflict with the terms of this warranty, shall not be binding upon GR8-WHITE unless reduced to writing and approved by an expressly authorized officer of GR8-WHITE.



## CUSTOMER SERVICE / CONTACT US

USA Business Hours\*:

Monday - Friday

9:00 am to 5:00 pm (Eastern)

*\*Please note hours are subject to change.*

Email: [CustomerService@GR8-WHITE.com](mailto:CustomerService@GR8-WHITE.com)

Phone: 1-888-855-1804

Web: [www.GR8-WHITE.com](http://www.GR8-WHITE.com)